

Pro 2MP & 3MP Compact Mini-Dome Camera



Key Features

- Compact design allows for discreet deployments
- IK10 vandal-resistance rating
- IP67-rated protection against environmental damage
- Edge-based failover redundancy to provide improved camera-to-NVR connectivity
- IntelliZip powerful video compression for bandwidth management
- Wide Dynamic Range to balance scenes in challenging lighting conditions

Stream High-Resolution Video in Challenging Environments

The Pro Compact Mini-Domes provide crisp and clear high-definition video at 2MP and 3MP resolutions, and are ideal for applications such as retail stores, commercial buildings, healthcare facilities and banks where discretion is important. Rated IP66/67 and IK10 for weather and vandal resistance, this camera can function in harsh outdoor conditions. The Compact Mini-Domes provide exceptional video in challenging lighting conditions with True Wide Dynamic Range up to 120dB. Save on installation costs by licensing the camera to a VideoEdge Network Video Recorder at no additional cost.

Safeguard Against Cyber Attacks Across Devices

Illustra Pro Cameras have been designed to be resilient against cyber-threats. Our products are gated, analyzed, tested and required to meet or exceed the rigorous standards of the Johnson Controls Cyber Solutions Product Security Program for every consecutive release. This holistic approach is aimed at providing peace of mind to our customers. Our security mindset begins at initial design concept and is supported through deployment, including a rapid incident response to meet the comprehensive and evolving cybersecurity environments.

Powerful Technology to Increase Confidence and Savings

The Pro Compact Mini-Dome features built-in technology that ensure failover redundancy and smart bandwidth management, respectively. When paired with a VideoEdge or exacqVision NVR, edge-based failover redundancy allows video recording to continue on the camera when an outage occurs, then when connection is restored transfers video back to the media database for seamless viewing later. Illustra® IntelliZip continuously monitors and optimizes system streaming parameters to match the level of activity within the camera's field of view.

Achieve Clarity Despite Challenging Scene and Lighting Conditions

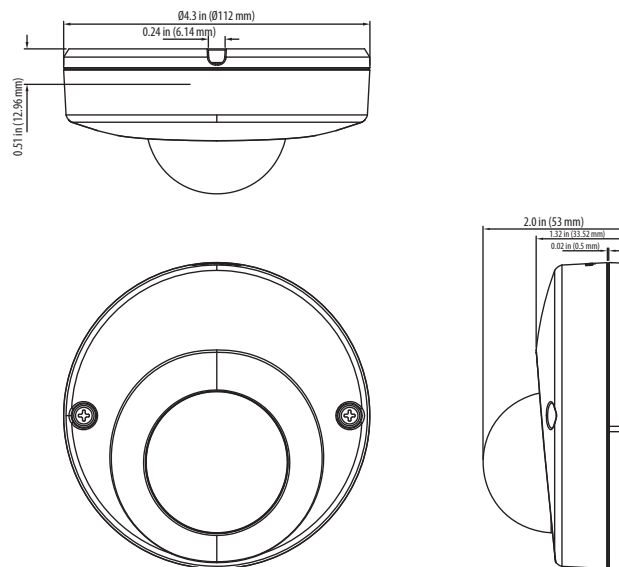
Illustra cameras deliver exceptional images even with highly contrasted images in a scene. Cameras available with Wide Dynamic Range functionality have special software that allows them to balance foreground and background lighting for one clear image, while still maintaining the right color balance. Additionally, the powerful processor combines with a light sensor and switches the camera automatically between color and monochrome modes, providing quality images even in ultra-low light scenarios. Finally, the camera is equipped with various viewing angles including horizontal view and corridor mode to ensure important details are captured without wasting the field of view.

Specifications

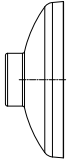
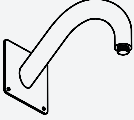
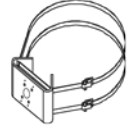
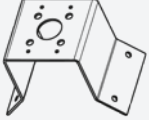
Operational	
Video Compression	H.264 / H.264+ IntelliZip / H.265 / MJPEG / H.265+ IntelliZip
Max Frame Rate	30ips @ 3MP, 60ips @ 2MP
Resolution & Aspect Ratio	3MP Only: 2048 x 1536 (QXGA) 4:3 1920 x 1080 (1080p) 16:9 1664 x 936 16:9 1280 x 720 (720p) 16:9 1024 x 576 (PAL+) 16:9 640 x 360 (mHD) 16:9 480 x 360 4:3 384 x 288 4:3 640 x 360 (mHD) 16:9 480 x 360 4:3 384 x 288 4:3
Video Streams	Triple
Imager	Progress Scan RGB CMOS 1/2.8"
Image Orientation Settings	None, Mirror, Flip, Flip and Mirror, Corridor (rotate 90° right or left)
Lens Type	Fixed
Focal Length	2.8 mm
Field of View (H/V)	2MP: 104° / 54° 3MP: 104° / 77°
Aperture	F1.8
Minimum Illumination Color	0.01 Lux, 1/4s, 30%, AGC
Wide Dynamic Range	Dual Exposure, True WDR 120 dB Technologies
Day/Night	Soft Day/Night
ONVIF-Compliant	Profile S
Motion Detection Zones	3
Blur Detection Zones	Yes
Privacy Zones	9
Simultaneous Users	5

Supported Languages	Arabic, Czech, Chinese (Simplified), Chinese (Traditional), Danish, Dutch, English (US), French, German, Hungarian, Italian, Japanese, Korean, Polish, Portuguese (Brazilian), Russian, Spanish, Swedish, Turkish
Network	
Ethernet Interface	10/100 Base-T, RJ-45
Supported Protocols	TCP/IP, IPv4, IPv6, UDP, FTP, DHCP, WS-Discovery, WS-Addressing, DNS, DDNS, RTP, RTSP, RTCP, TLS, Unicast, Multicast, NTP, SMTP, WSSecurity, IEEE 802.1x, PEAP, SSH, HTTP, HTTPS, SOAP, CIFS, SNMP, UPnP, LLDP, ONVIF
Configuration Management	
Web Browsers	Internet Explorer 9.0 or above, Firefox, Safari, Chrome
Security	Enhanced Security Mode (forces complex passwords, HTTPS and disables discovery); TLS 1.2 (256 bit cipher minimum); Security Overview Page (status and configuration); RTSP Authentication; IEEE 802.1X Client; Remote Accessible Audit logs; Role-Based Access Control
Onboard Storage	
Card Support	Micro SDXC Slot Up to 128GB; Card Not Included
Pre-Alarm Recording	Yes
Recording Format	MP4
Recording Trigger	Alarm, network loss, schedule motion detection
VideoEdge TrickleStor	Yes
Electrical	
Power Input	Power over Ethernet (PoE) IEEE 802.3af/802.3at Type 1 Class 2
Power Draw	6W
Physical	
Dimensions (RxH)	Ø4.3 x 2.0 in (Ø112 x 53 mm)
Weight	1.1 lbs (0.5 kg)
Housing Color	RAL 9003 - Signal White
Operating Temperature	-40°F to 122°F (-40°C to 50°C)
Humidity	Up to 85% RH, Non-condensing
Vandal Resistant	IK10 (Body)
Outdoor Rating	IP66, IP67
Regulatory	
Safety	UL 60950-1; CAN/CSA-C22.2 No. 60950-1; EN 60950-1
Emissions	FCC Part 15 Class A; CE EN55032 Class A; AS/NZS CISPR 32 Class A; ICES-003/NMB-003 Class A
Immunity	EN55024; EN50130-4
Environment	RoHS; WEEE

Pro 2MP & 3MP Compact Mini-Dome



Accessories

Accessory Type	Image	Model Number	Description	Dimensions	Color
Pendant Cap		ADC16MPCAPIW	Pendant Cap: Indoor, White	Ø5.2 x 2.2 x 5.8 in (Ø131 x 55 x 147.4 mm)	RAL 9003
Gooseneck Arm		ADLOMARM	For use with Pendant Cap	4.4 x 8.78 x 4.4 in (112.5 x 222.9 x 112.5 mm)	RAL 9003
Outside Corner Mount Adapter		ADCDMPOLE	For use with Pendant Cap and Gooseneck Arm	Wraps around pole	RAL 9003
Pole Mount Adapter		ADCDMCRNRO	For use with Pendant Cap and Gooseneck Arm	5.18 x 7.58 in (131.5 x 192.5 mm)	RAL 9003

Ordering Information

Model	Description
IPS02CFOCWST	Illustra Pro 2MP Compact Dome, 2.8mm, outdoor, vandal, clear, white, SDN, TWDR
IPS03CFOCWST	Illustra Pro 3MP Compact Dome, 2.8mm, outdoor, vandal, clear, white, SDN, TWDR

Accessories

Model	Description
ADC16MPCAPIW	Illustra Pendant Cap for PG2 MD, PG2 Fisheyes, PG2 PTZ, 600/610 MD, Indoor, ¾" NPT, White
ADLOMARM	Illustra Gooseneck Wall Mount, ¾" NPT, White
ADCDMCRNRO	Illustra Exterior Corner Bracket for use with ADLOMARM / ADCBMARM, White
ADCDMPOLE	Illustra Pole Kit for use ADLOMARM / ADCBMARM, White

About Johnson Controls

Johnson Controls is a global diversified technology and multi-industrial leader serving a wide range of customers in more than 150 countries. Our 120,000 employees create intelligent buildings, efficient energy solutions, integrated infrastructure and next generation transportation systems that work seamlessly together to deliver on the promise of smart cities and communities. Our commitment to sustainability dates back to our roots in 1885, with the invention of the first electric room thermostat.

For additional information, please visit www.illustracameras.com or follow Illustra on LinkedIn, Twitter, and Facebook.