

5MP Motorized V/F IR Bullet Smart Network Camera



Features That Make a Difference

- 5MP resolution (2592 × 1944), H.265
- 30fps@5MP, 60fps@2MP
- True day / night
- Up to 70m IR distance with Smart IR
- Auto focus by motorized V/F lens
- True WDR, up to 120dB
- 3D DNR, HLC & BLC
- Defog
- Triple streams
- Smart codec by ROI
- 2-way audio & alarm in/out
- Onboard storage
- PoE power supply
- Advanced intelligent video analytics
- Face detection / capture
- Smart non-false alarm
- IP67 / IK10

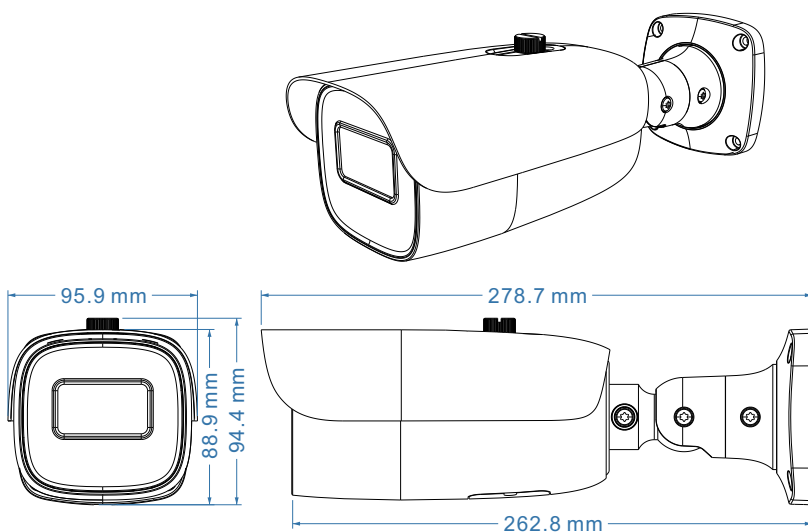
Specification

| Camera | |
|----------------------------|---|
| Imager | 1 / 2.7" CMOS |
| Effective Pixels | 2592 × 1944 |
| Min. Illumination | 0.008 Lux,F1.2,AGC ON; 0.01 Lux, F1.6,AGC ON; 0 lux with IR |
| Shutter Speed | PAL: 1 / 25 s ~ 1 / 100000 s NTSC: 1 / 30 s ~ 1 / 100000 s |
| S/N Ratio | ≥52 dB |
| Angle Adjustment | Any angle |
| Lens | |
| Focal Length | 2.8~ 12 mm @F1.4, Motorized |
| Iris Type | DC-Iris |
| Field of View | Horizontal: 92.7°~ 29.8° Vertical: 76.4°~ 22.6° |
| Focus Control | auto-focus |
| Lens Mount | Φ 14 |
| Video | |
| Video Compression | H.265 / H.264 |
| H.264 Compression Standard | Base Line / Main Profile / High Profile |
| H.265 Compression Standard | Main Profile @Leve4.1 High Tier |
| Resolution | 5MP(2592×1944), 4MP (2560×1440),3MP(2304×1296), 1080P (1920×1080), 720P (1280×720),D1, CIF, 480×240 |
| Max.Frame Rate | 30fps @ all resolution,60fps @ 1080P |
| Video Bit Rate | 128 Kbps ~ 10 Mbps |
| Multiple Streaming | Triple streams |
| Main Stream | 60Hz:5MP(1~30fps)/4MP(1~30fps)/2K(1~30fps)/ 3MP(1~30fps)/1080P(1~60fps)/ 720P(1~30fps) 50Hz:5MP(1~25fps)/4MP(1~25fps)/2K(1~25fps) /3MP(1~25fps)/1080P(1~50fps)/720P(1~25fps) |
| Sub Stream | 60Hz:720P/D1/CIF /480×240 (1~30fps) 50Hz:720P/D1/CIF/480×240 (1~25fps) |
| Third Stream | 60Hz : D1(1 ~ 30fps) / 480x240(1 ~ 30fps) / CIF(1 ~ 30fps) 50Hz : D1(1 ~ 25fps) / 480x240(1 ~ 25fps) / CIF(1 ~ 25fps) |
| Smart Codec | ROI, 3 zones |
| Bitrate Control | VBR / CBR |
| Quality Control | Five levels under VBR; Freely adjustable under CBR |
| Image Setting | ROI, Saturation, Brightness, Chroma, Contrast, Wide Dynamic, Sharpen, NR,etc. |

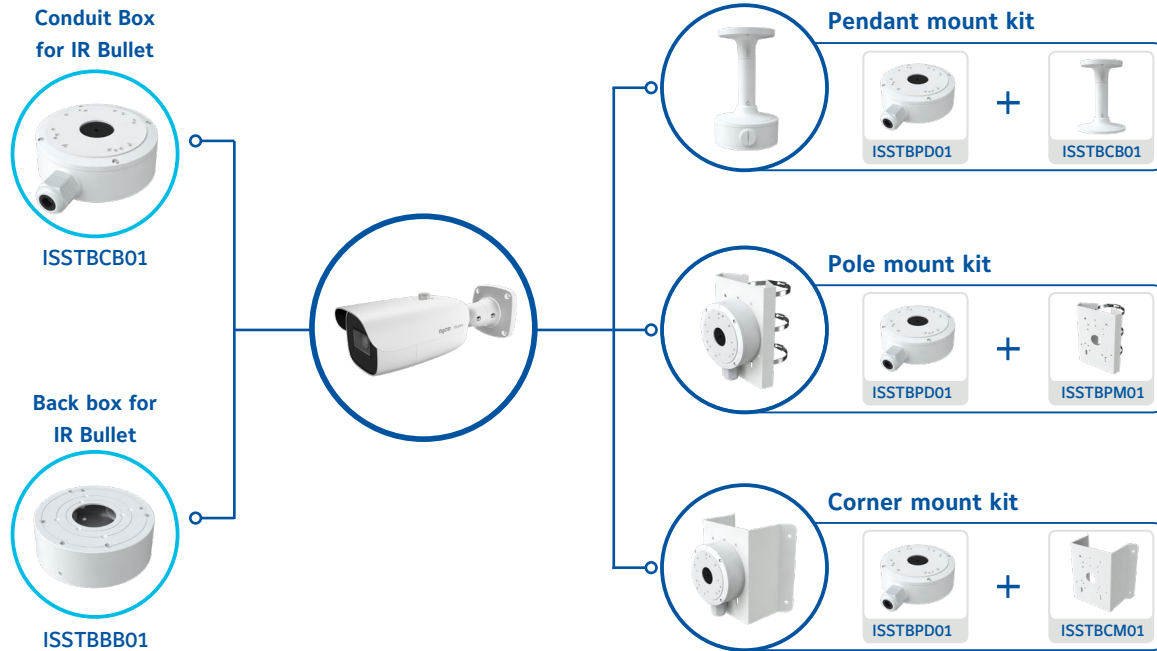
| Audio | |
|-----------------------------|--|
| Audio Communication | Bi-directional audio (2-way) |
| Audio Compression Format | G711A/U |
| Audio Bit Rate | 128Kbps |
| Operational | |
| Day & Night | IR cut filter with auto switch |
| Backlight Compensation | Yes |
| Wide Dynamic Range | True WDR, 120dB |
| IR Distance | Up to 70M |
| Digital Noise Reduction | 2D/3D DNR |
| Digital Zoom | Yes |
| Defog | Yes |
| Corridor Pattern | Yes |
| Flip / Mirror | Yes |
| Video Privacy | 4 zones video mask |
| Intelligent Video Analytics | Perimeter Protection: Line crossing, region Entering/ Exiting/Intrusion (human/motor vehicle/ non-motor vehicle classification) Target Counting: Line crossing human/motor vehicle/ non-motor vehicle counting Exception Detection: Scene change, video blur and video color cast detection Face Detection: Face detection and face capture |
| Alarm Triggers | Alarm input, Motion detection, Intelligent video analytics, Network disconnect |
| Edge Storage | Built-in micro SD card slot, up to 128GB |
| Backfilling | Yes |
| Network | |
| Network Protocol | TCP / IP, UDP, DHCP, NTP, RTSP, PPPoE, DDNS, SMTP, FTP, SNMP, UPnP, Unicast, Multicast |
| Cyber Security | HTTPS / IP Filter / IEEE 802.1X /Blacklist & whitelist/ account security/telnet access control/serial password |

| Online Connection | Support simultaneous monitoring for up to 10 users; Support multi-stream real time transmission |
|-----------------------|---|
| Remote Monitoring | Webviewer browsing, Holis Pro, Holis Lite, ExacqVision, victor |
| API | ONVIF (Profile S/G), HAPI3, iAPI3 |
| Interface | |
| Network | RJ45 |
| Audio | Line IN × 1, Line OUT × 1 |
| Video Output | CVBS video output (BNC × 1) |
| Onboard Storage | Built-in micro SD/SDHC/SDXC slot |
| RS485 | NONE |
| Alarm | Alarm 1 in / 1 out |
| Hardware Reset | Support |
| Environmental | |
| Operating Temperature | - 30 °C ~ 60 °C |
| Operating Humidity | 10 % ~ 90 % relative humidity |
| Ingress Protection | IP67 |
| Vandal Resistance | IK10 |
| General | |
| Power Supply | DC12V / PoE |
| Power Consumption | < 12W |
| Dimensions (mm) | 278.7 × 95.9 × 94.4 |
| Material | Metals |
| Weight | ≈ 1.15kg |
| Certification | CE, FCC |

Dimension



Accessories



Order Info

| Module | Description |
|----------------|---|
| ISV-B05M023S-N | H.265 5MP Motorized V/F IR Bullet N/W Camera, 2.8-12mm, 70M IR, Micro SD, DC12V/PoE, IP67/IK10, Smart IVA |
| ISSTBCB01 | Conduit Box for IR Bullet |
| ISSTBBB01 | Backbox for IR Bullet |
| ISSTBPD01 | Pendant mount for IR Bullet (use with ISSTBCB01) |
| ISSTBPM01 | Pole mount for IR Bullet (use with ISSTBCB01) |
| ISSTBCM01 | Corner mount for IR Bullet (use with ISSTBCB01) |

About Johnson Controls

Johnson Controls is a global diversified technology and multi-industrial leader serving a wide range of customers in more than 150 countries. Our 120,000 employees create intelligent buildings, efficient energy solutions, integrated infrastructure and next generation transportation systems that work seamlessly together to deliver on the promise of smart cities and communities. Our commitment to sustainability dates back to our roots in 1885, with the invention of the first electric room thermostat.

For additional information, please visit www.illustracameras.com or follow Illustra on LinkedIn, Twitter, and Facebook.