

# 4MP IR Vandal Proof Mini Dome Network Camera



## Features That Make a Difference

- 4MP resolution (2560 × 1440), H.265
- True day / night
- Up to 30m IR distance
- Digital WDR
- 3D DNR, HLC & BLC
- Triple streams
- Smart codec by ROI
- PoE power supply
- Basic intelligent video analytics
- IP67 / IK10

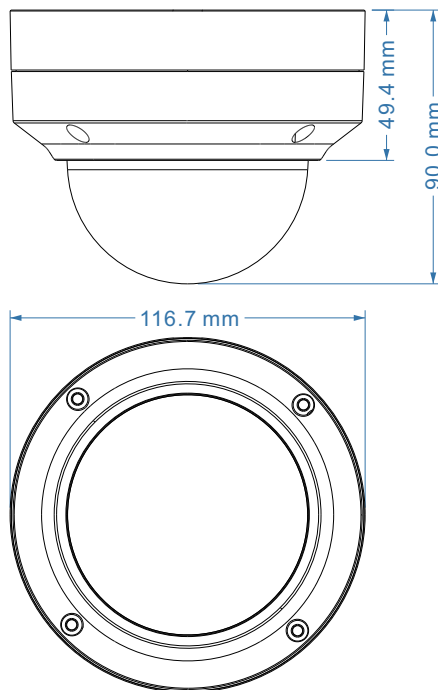
## Specification

Camera	
Imager	1 / 2.7" CMOS
Effective Pixels	2560 × 1440
Min. Illumination	0.01 Lux, F1.2, AGC ON; 0.04 Lux, F2.26, AGC ON; 0 lux with IR
Shutter Speed	PAL: 1 / 25 s ~ 1 / 100000 s NTSC: 1 / 30 s ~ 1 / 100000 s
S/N Ratio	≥52 dB
Angle Adjustment	Pan : 0°~355°, Tilt : 0°~67°, Rotation : 0°~355°
Lens	
Focal Length	2.8 mm @ F2.0, 3.6 mm @ F2.2
Iris Type	Fixed Iris
Field of View	2.8 mm@F2.0, horizontal field of view:110°, Vertical: 77.6° 3.6 mm@F2.2, horizontal field of view: 89°,Vertical: 58°
Focus Control	None
Lens Mount	M12
Video	
Video Compression	H.265 / H.264
H.264 Compression Standard	Base Line / Main Profile / High Profile
H.265 Compression Standard	Main Profile @Level4.1 High Tier
Resolution	4MP ( 2560 × 1440 ), 3MP ( 2304 × 1296 ), 1080P ( 1920×1080 ), 720P ( 1280×720 ), D1, CIF, 480×240
Max.Frame Rate	30fps @ all resolution
Video Bit Rate	64 Kbps ~ 5 Mbps
Multiple Streaming	Triple streams
Main Stream	60Hz : 4MP/3MP/1080P(1~30fps) 50Hz : 4MP/3MP/1080P(1~25fps)
Sub Stream	60Hz : 720P(1~15fps)/D1 /CIF (1~30fps) 50Hz: 720P(1~12fps)/D1(1~25fps)/CIF (1~25fps)
Third Stream	60Hz : D1/CIF/480x240 (1~30fps) 50Hz: D1/CIF/480x240 (1~25fps)
Smart Codec	ROI, 3 zones
Bitrate Control	VBR / CBR
Quality Control	Five levels under VBR; Freely adjustable under CBR
Image Setting	ROI, Saturation, Brightness, Chroma, Contrast, Wide Dynamic, Sharpen, NR,etc.

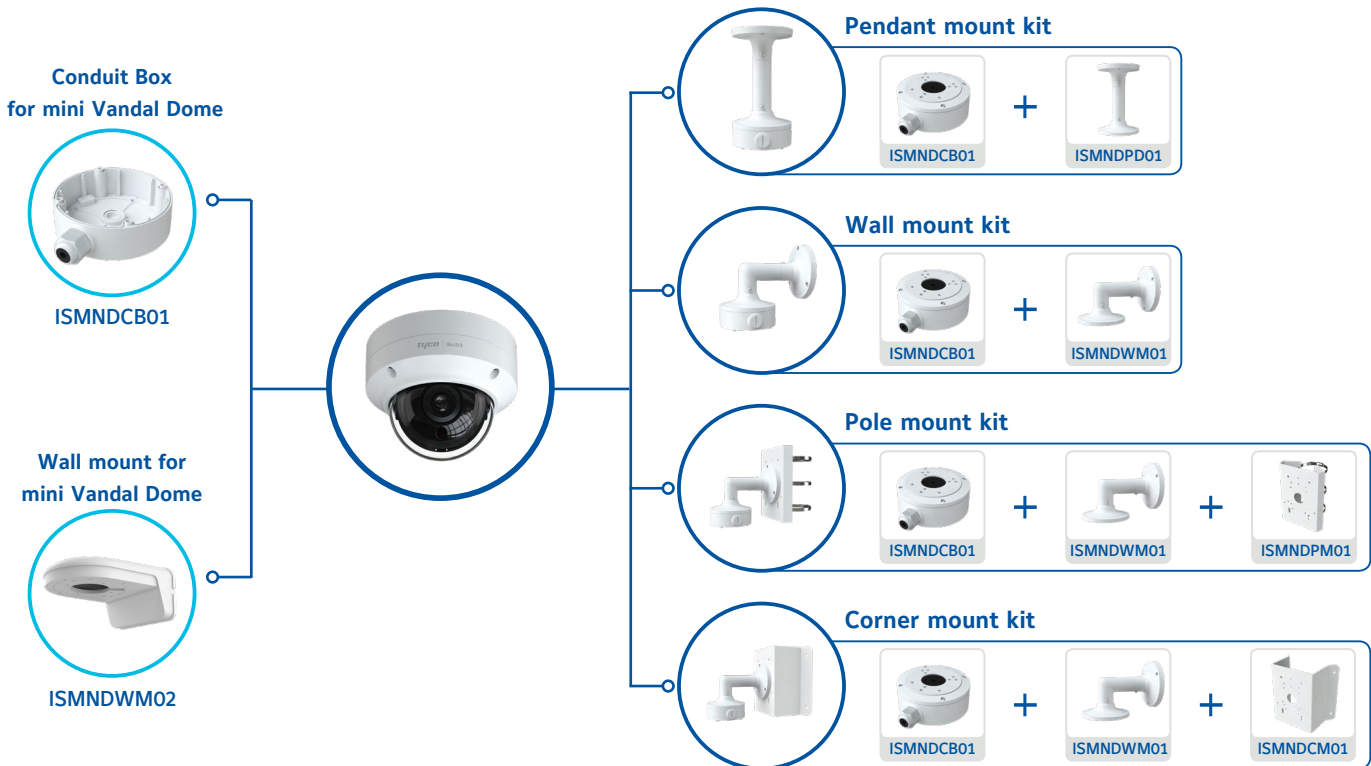
Audio	
Audio Communication	None
Audio Compression Format	None
Audio Bit Rate	None
Operational	
Day & Night	IR cut filter with auto switch
Backlight Compensation	Yes
Wide Dynamic Range	Digital WDR
IR Distance	Up to 30M
Digital Noise Reduction	2D/3D DNR
Digital Zoom	Yes
Defog	Yes
Flip / Mirror	Yes
Video Privacy	4 zones video mask
Intelligent Video Analytics	Object removal (object left/missing detection), scene change and video blur detection, intrusion and line crossing
Alarm Triggers	Motion detection, Intelligent video analytics, Network disconnect, SD card full, SD card error
Edge Storage	Built-in micro SD card slot, up to 128GB
Backfilling	Yes
Network	
Network Protocol	TCP / IP, UDP, DHCP, NTP, RTSP, PPPoE, DDNS, SMTP, FTP, UPnP, Unicast, Multicast
Cyber Security	HTTPS / IP Filter / IEEE 802.1X /Blacklist & whitelist/ account security/telnet access control/serial password
Online Connection	Support simultaneous monitoring for up to 4 users; Support multi-stream real time transmission
Remote Monitoring	Webviewer browsing, Holis Pro, Holis Lite, ExacqVision, victor
API	ONVIF (Profile S/G), HAPI3, iAPI3

Interface	
Network	RJ45
Audio	None
Video Output	None
Onboard Storage	Built-in micro SD/SDHC/SDXC slot
RS485	None
Alarm	None
Hardware Reset	Support
Environmental	
Operating Temperature	- 30 °C ~ 60 °C
Operating Humidity	10 % ~ 90 % relative humidity
Ingress Protection	IP67
Vandal Resistance	IK10
General	
Power Supply	DC12V / PoE
Power Consumption	< 6W
Dimensions ( mm )	Φ 116.7 × 90
Material	Metals
Weight	≈ 0.61kg
Certification	CE, FCC

## Dimension



## Accessories



## Order Info

Module	Description
ISE-V04F283S-N	H.265 4MP IR Vandal Proof Dome N/W Camera, 2.8mm, 30M IR, Micro SD, DC12V/PoE, IP67/IK10, IVA
ISE-V04F363S-N	H.265 4MP IR Vandal Proof Dome N/W Camera, 3.6mm, 30M IR, Micro SD, DC12V/PoE, IP67/IK10, IVA
ISMNDCB01	Conduit Box for mini Vandal Dome
ISMNDPD01	Pendant mount with conduit box for mini Vandal Dome (use with ISMNDCB01)
ISMNDWM01	Wall mount for mini Vandal Dome (use with ISMNDCB01)
ISMNDPM01	Pole mount for mini Vandal Dome (use with ISMNDWM01 & ISMNDCB01)
ISMNDCM01	Corner mount for mini Vandal Dome (use with ISMNDWM01 & ISMNDCB01)
ISMNDWM02	Wall mount for mini Vandal Dome

## About Johnson Controls

Johnson Controls is a global diversified technology and multi-industrial leader serving a wide range of customers in more than 150 countries. Our 120,000 employees create intelligent buildings, efficient energy solutions, integrated infrastructure and next generation transportation systems that work seamlessly together to deliver on the promise of smart cities and communities. Our commitment to sustainability dates back to our roots in 1885, with the invention of the first electric room thermostat.

For additional information, please visit [www.illustracameras.com](http://www.illustracameras.com) or follow Illustra on LinkedIn, Twitter, and Facebook.